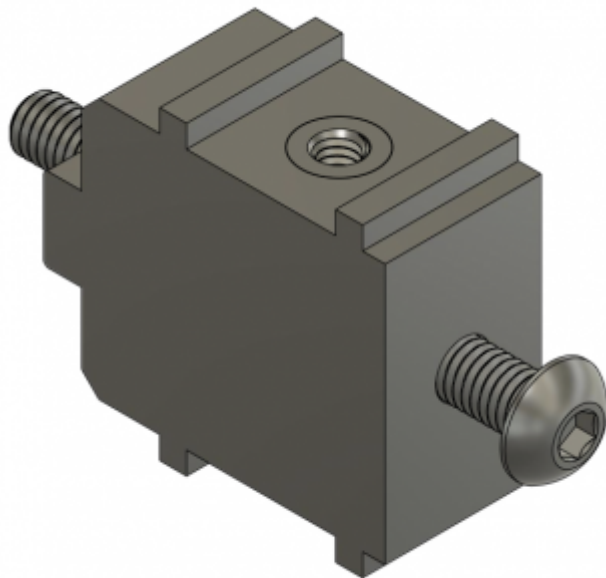


# Lewitt LCT 540 S + Rycote Stereo Windshield adapter

[Lewitt LCT 540 S](#) is a popular field recording microphone due to its super low-noise figures. Unfortunately there are no good windprotection solutions on the market, so I decided to make a improvised version on my own. Magnus Bergson from [fieldrecording.net](#) came up with an interesting [solution](#) using [Stereo Windshield WS AE ORTF Kit](#), and I decided to improve on his design.

I discovered that one can reuse the original microphone suspension basket provided with the microphone and mount it directly on the rail of the windshield with a simple 3D printed adapter. I removed all the lyres from the rail, removed the swivelling bracket from the basket and used the adapter to connect the two using M3x30 stainless bolt and original M2.5 bolts from the basket. Result is a firm connection of the original suspension in a proven windshield.

If you are interested in a 3D print of the adapter, contact me at [jonas@lom.audio](mailto:jonas@lom.audio). If you want to print it yourself, you will also need 2x M2.5 x 4 mm threaded inserts and M3 x 30 mm bolt. The model can be downloaded [here](#).







From:

<http://knowledge.lom.audio/> - LOM knowledge base

Permanent link:

[http://knowledge.lom.audio/research/lewitt\\_to\\_rycote?rev=1693228230](http://knowledge.lom.audio/research/lewitt_to_rycote?rev=1693228230)

Last update: **2023/08/28 15:10**

