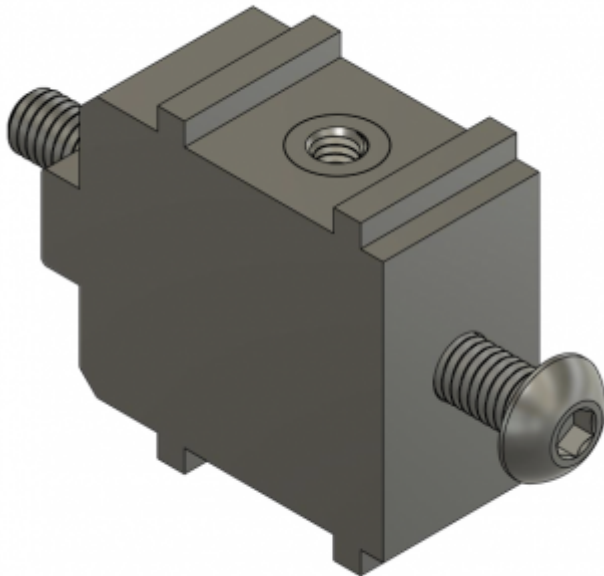


Lewitt LCT 540 S + Rycote Stereo Windshield adapter

[Lewitt LCT 540 S](#) is a popular field recording microphone due to its super low-noise figures. Unfortunately there are no good ready-made windprotection solutions on the market, so I decided to make a improvised version on my own. Magnus Bergson from [fieldrecording.net](#) came up with an interesting [solution](#) using [Stereo Windshield WS AE ORTF Kit](#), and I decided to improve on his design.

I discovered that one can reuse the original microphone suspension basket provided with the microphone and mount it directly on the rail of the windshield with a simple 3D printed adapter. I removed all the lyres from the rail, removed the swivelling bracket from the basket and used the adapter to connect the two using M3 x 30 stainless bolt and original M2.5 bolts from the basket. Result is a firm connection of the original suspension in a proven windshield.

If you are interested in a 3D print of the adapter, contact me at jonas@lom.audio. If you want to print it yourself, you will also need two M2.5 x 4 mm threaded inserts and M3 x 30 mm bolt. The model can be downloaded [here](#).







From:
<http://knowledge.lom.audio/> - LOM knowledge base

Permanent link:
http://knowledge.lom.audio/research/lewitt_to_rycote?rev=1693228999

Last update: **2023/08/28 15:23**

